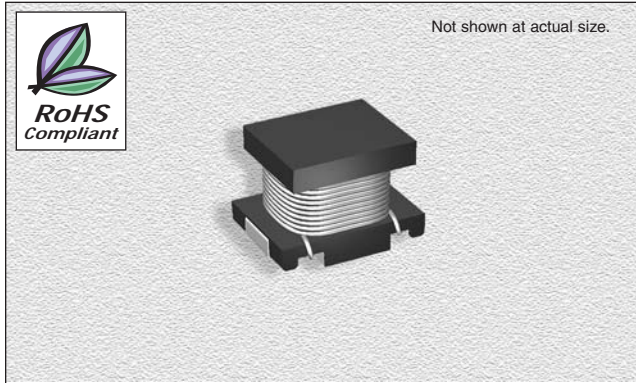


CTLQ2220CF Series

From 0.12 μH to 10,000 μH



SPECIFICATIONS

Parts are available in $\pm 20\%$ inductance tolerance only.

Part Number	Inductance ($\mu\text{H} \pm 20\%$)	L Test Freq. (Hz)	DCR Max. (Ω)	SRF Min. (MHz)	Allowable Current (A)
CTLQ2220CF-R12M	.12	1M	.0098	450	6.0
CTLQ2220CF-R27M	.27	1M	.014	300	5.3
CTLQ2220CF-R47M	.47	1M	.0182	200	4.8
CTLQ2220CF-1R0M	1.0	1M	.027	150	4.0
CTLQ2220CF-1R5M	1.5	1M	.031	110	3.7
CTLQ2220CF-2R2M	2.2	1M	.041	80	3.2
CTLQ2220CF-3R3M	3.3	1M	.05	40	2.9
CTLQ2220CF-4R7M	4.7	1M	.0574	30	2.7
CTLQ2220CF-6R8M	6.8	1M	.104	25	2.0
CTLQ2220CF-100M	10	1M	.130	20	1.7
CTLQ2220CF-150M	15	1M	.21	17	1.4
CTLQ2220CF-220M	22	1M	.266	15	1.2
CTLQ2220CF-330M	33	1M	.448	12	0.9
CTLQ2220CF-470M	47	1M	.56	10	0.8
CTLQ2220CF-680M	68	1M	.938	7.6	.64
CTLQ2220CF-101M	100	100k	1.204	6.5	.56
CTLQ2220CF-151M	150	100k	2.660	5.0	.42
CTLQ2220CF-221M	220	100k	3.36	4.0	.32
CTLQ2220CF-331M	330	100k	6.16	3.1	.27
CTLQ2220CF-471M	470	100k	7.56	2.4	.24
CTLQ2220CF-681M	680	100k	11.34	1.9	.19
CTLQ2220CF-102M	1000	10k	14.42	1.7	.15
CTLQ2220CF-222M	2200	10k	30.1	1.2	.10
CTLQ2220CF-472M	4700	10k	61.04	.8	.07
CTLQ2220CF-103M	10000	10k	140	.5	.05

CHARACTERISTICS

Description: SMD power inductor

Applications: Power supplies for VTR, OA equipment, LCD televisions, PC notebooks, portable communication equipment, DC/DC converters, etc.

Operating Temperature: -25°C to $+85^{\circ}\text{C}$

Inductance Tolerance: $\pm 20\%$

Testing: Tested on a HP4284A at specified frequency

Packaging: Tape & Reel

Marking: Reels are marked with inductance code and tolerance

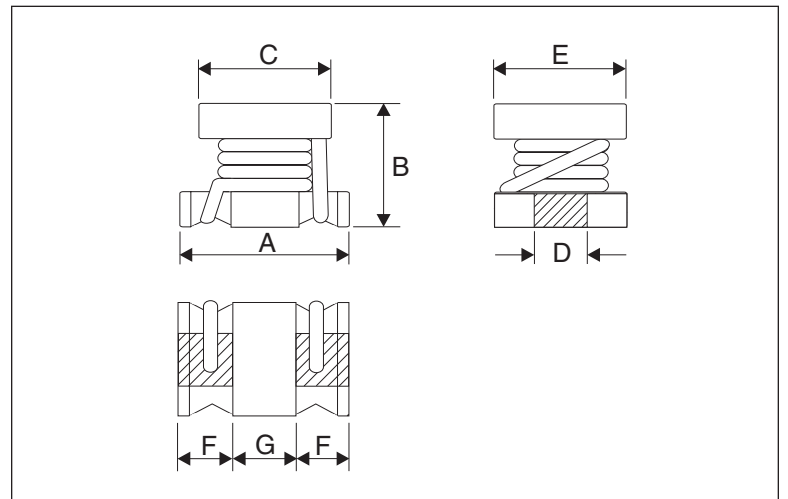
Miscellaneous: RoHS Compliant.

Additional Information: Additional electrical & physical information available upon request

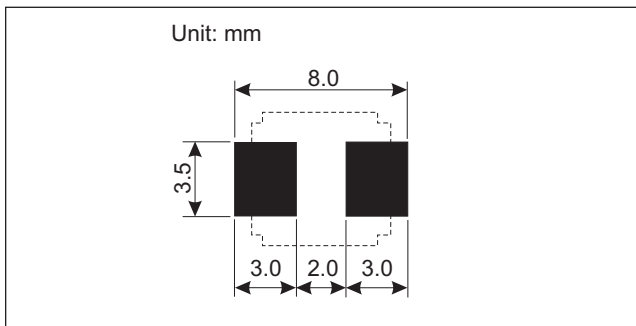
Samples available. See website for ordering information.

PHYSICAL DIMENSIONS

Size	A	B	C	D	E	F Min.	G Min.
mm	5.7 \pm 0.3	4.7 \pm 0.3	5.0 \pm 0.3	3.0 \pm 0.5	5.0 \pm 0.3	1.3	1.7
inches	0.22 \pm 0.01	0.19 \pm 0.01	0.20 \pm 0.01	0.12 \pm 0.02	0.20 \pm 0.01	0.05	0.07



LAND PATTERN



10.21.08